

## FEATURES

- Overshoot and Undershoot Voltage Protection
- Specified Break-Before-Make Switching
- Low ON-State Resistance (10 Ω)
- Control Inputs Are 5-V Tolerant
- Low Charge Injection
- Excellent ON-Resistance Matching
- Low Total Harmonic Distortion (THD)
- 1.8-V to 5.5-V Single-Supply Operation
- Latch-Up Performance Exceeds 100 mA Per JESD 78, Class II
- ESD Performance Tested Per JESD 22
  - 2000-V Human-Body Model (A114-B, Class II)
  - 1000-V Charged-Device Model (C101)
  - 300-V Machine Model (A115-A)

## APPLICATIONS

- Sample-and-Hold Circuit
- Battery-Powered Equipments
- Audio and Video Signal Routing
- Communication Circuits

## DESCRIPTION/ORDERING INFORMATION

The TS5A623157 is a dual single-pole, double-throw (SPDT) analog switch designed to operate from 1.65 V to 5.5 V. This device can handle both digital and analog signals. Signals up to V+ (peak) can be transmitted in either direction.

The TS5A623157 senses overshoot and undershoot events at the I/Os and responds by preventing voltage differentials from developing and turning the switch on.

### ORDERING INFORMATION

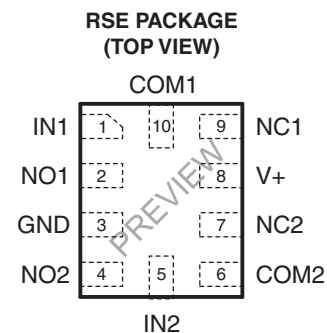
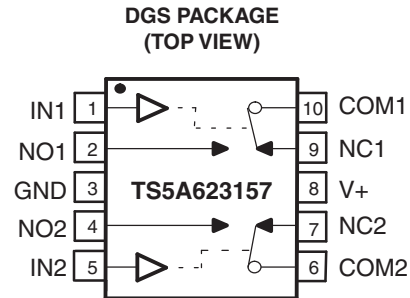
T <sub>A</sub>	PACKAGE <sup>(1)(2)</sup>		ORDERABLE PART NUMBER	TOP-SIDE MARKING
–40°C to 85°C	VSSOP (MSOP-10) – DGS	Tape and reel	TS5A623157DGSR	35R
	QFN – RSE	Tape and reel	TS5A623157RSER	PREVIEW

(1) Package drawings, thermal data, and symbolization are available at [www.ti.com/packaging](http://www.ti.com/packaging).

(2) For the most current package and ordering information, see the Package Option Addendum at the end of this document, or see the TI website at [www.ti.com](http://www.ti.com).

### FUNCTION TABLE

IN	NC TO COM, COM TO NC	NO TO COM, COM TO NO
L	ON	OFF
H	OFF	ON



Please be aware that an important notice concerning availability, standard warranty, and use in critical applications of Texas Instruments semiconductor products and disclaimers thereto appears at the end of this data sheet.

**TS5A623157**  
**DUAL 10-Ω SPDT ANALOG SWITCH**  
**WITH UNDERSHOOT/OVERSHOOT VOLTAGE PROTECTION**

SCDS253–SEPTEMBER 2007

**SUMMARY OF CHARACTERISTICS**  
 $V_+ = 5\text{ V}$ ,  $T_A = 25^\circ\text{C}$

Configuration	2:1 multiplexer/demultiplexer (1 × SPDT)
Number of channels	2
ON-state resistance ( $r_{on}$ )	10 Ω
ON-state resistance match ( $\Delta r_{on}$ )	0.15 Ω
ON-state resistance flatness ( $r_{on(flat)}$ )	2 Ω
Turn-on/turn-off time ( $t_{ON}/t_{OFF}$ )	5 ns / 3.4 ns
Break-before-make time ( $t_{BBM}$ )	0.5 ns
Charge injection ( $Q_C$ )	5 pC
Bandwidth (BW)	371 MHz
OFF isolation ( $O_{ISO}$ )	-61 dB at 10 MHz
Crosstalk ( $X_{TALK}$ )	-61 dB at 10 MHz
Total harmonic distortion (THD)	0.06%
Leakage current ( $I_{NO(OFF)}/I_{NC(OFF)}$ )	±1 μA
Power-supply current ( $I_+$ )	1.2 μA
Undershoot protection	-2 V
Overshoot protection	$V_+ + 2\text{ V}$
Package options	10-pin VSSOP (DGS), 10-pin QFN (RSE)

**Absolute Minimum and Maximum Ratings<sup>(1)(2)</sup>**

over operating free-air temperature range (unless otherwise noted)

		MIN	MAX	UNIT
$V_+$	Supply voltage range <sup>(3)</sup>	-0.5	6.5	V
$V_{NC}$ $V_{NO}$ $V_{COM}$	Analog voltage range <sup>(3)(4)(5)</sup>	-0.5	$V_+ + 0.5$	V
$I_{I/OK}$	Analog port diode current	$V_+ < V_{NC}, V_{NO}, V_{COM} < 0$		±50 mA
$I_{NC}$ $I_{NO}$ $I_{COM}$	On-state switch current	$V_{NC}, V_{NO}, V_{COM} = 0 \text{ to } V_+$		±50 mA
$V_{IN}$	Digital input voltage range <sup>(3)(4)</sup>	-0.5	6.5	V
$I_{IK}$	Digital input clamp current	$V_I < 0$		-50 mA
$I_+$ $I_{GND}$	Continuous current through $V_+$ or GND			±100 mA
$T_{stg}$	Storage temperature range	-65	150	°C

- (1) Stresses beyond those listed under "absolute maximum ratings" may cause permanent damage to the device. These are stress ratings only, and functional operation of the device at these or any other conditions beyond those indicated under "recommended operating conditions" is not implied. Exposure to absolute-maximum-rated conditions for extended periods may affect device reliability.
- (2) The algebraic convention, whereby the most negative value is a minimum and the most positive value is a maximum.
- (3) All voltages are with respect to ground, unless otherwise specified.
- (4) The input and output voltage ratings may be exceeded if the input and output clamp-current ratings are observed.
- (5) This value is limited to 5.5 V maximum.

**Package Thermal Impedance**

			UNIT
$\theta_{JA}$	Package thermal impedance <sup>(1)</sup>	DGS package	165
		RSE package	243

- (1) The package thermal impedance is calculated in accordance with JESD 51-7.

PRODUCT PREVIEW

**Electrical Characteristics for 5-V Supply**
 $V_+ = 4.5 \text{ V to } 5.5 \text{ V}$ ,  $T_A = -40^\circ\text{C to } 85^\circ\text{C}$  (unless otherwise noted)

PARAMETER	SYMBOL	TEST CONDITIONS	$T_A$	$V_+$	MIN	TYP	MAX	UNIT	
<b>Analog Switch</b>									
Analog signal range	$V_{COM}, V_{NO}, V_{NC}$				0		$V_+$	V	
Voltage undershoot	$V_{IKU}$	$0 \geq (I_{NC}, I_{NO}, \text{ or } I_{COM}) \geq -50 \text{ mA}$		5.5 V			-2	V	
Peak ON-state resistance	$r_{peak}$	$0 \leq (V_{NO} \text{ or } V_{NC}) \leq V_+$ , $I_{COM} = -30 \text{ mA}$ , Switch ON, See Figure 14	25°C	4.5 V		4.6	11	$\Omega$	
			Full				13		
ON-state resistance	$r_{on}$	$V_{NO} \text{ or } V_{NC} = 0$ , $I_{COM} = 30 \text{ mA}$ Switch ON, See Figure 14	25°C	4.5 V		4	6.5	$\Omega$	
			Full				8		
			25°C				4		8
			Full						10
			25°C				5.5		10
			Full						12
ON-state resistance match between channels	$\Delta r_{on}$	$V_{NO} \text{ or } V_{NC} = 3.15 \text{ V}$ , $I_{COM} = -30 \text{ mA}$ , Switch ON, See Figure 14	25°C	4.5 V		0.1	0.14	$\Omega$	
Full					0.15				
ON-state resistance flatness	$r_{on(Flat)}$	$0 \leq (V_{NO} \text{ or } V_{NC}) \leq V_+$ , $I_{COM} = -30 \text{ mA}$ , Switch ON, See Figure 14	25°C	4.5 V		1.5	2	$\Omega$	
			Full				4		
NC, NO OFF leakage current	$I_{NC(OFF)}, I_{NO(OFF)}$	$V_{NC} \text{ or } V_{NO} = 0 \text{ to } V_+$ , $V_{COM} = V_+ \text{ to } 0$ , Switch OFF, See Figure 15	25°C	5.5 V		1	20	nA	
			Full				150		
NC, NO ON leakage current	$I_{NC(ON)}, I_{NO(ON)}$	$V_{NC} \text{ or } V_{NO} = 0 \text{ to } V_+$ , $V_{COM} = \text{Open}$ , Switch ON, See Figure 16	25°C	5.5 V		1	20	nA	
			Full				150		
COM ON leakage current	$I_{COM(ON)}$	$V_{NC} \text{ or } V_{NO} = \text{Open}$ , $V_{COM} = 0 \text{ to } V_+$ , Switch ON, See Figure 16	25°C	5.5 V		1	20	nA	
			Full				150		
<b>Digital Control Input (IN)</b>									
Input logic high	$V_{IH}$		Full		$V_+ \times 0.7$		5.5	V	
Input logic low	$V_{IL}$		Full		0		$V_+ \times 0.3$	V	
Input leakage current	$I_{IH}, I_{IL}$	$V_I = 5.5 \text{ V or } 0$	25°C	5.5 V		0.1	10	nA	
			Full				30		

**TS5A623157**  
**DUAL 10-Ω SPDT ANALOG SWITCH**  
**WITH UNDERSHOOT/OVERSHOOT VOLTAGE PROTECTION**

SCDS253–SEPTEMBER 2007

**Electrical Characteristics for 5-V Supply (continued)**

$V_+ = 4.5\text{ V to }5.5\text{ V}$ ,  $T_A = -40^\circ\text{C to }85^\circ\text{C}$  (unless otherwise noted)

PARAMETER	SYMBOL	TEST CONDITIONS	$T_A$	$V_+$	MIN	TYP	MAX	UNIT	
<b>Dynamic</b>									
Turn-on time	$t_{ON}$	$V_{COM} = V_+$ or GND, $R_L = 500\ \Omega$ ,	$C_L = 50\text{ pF}$ , See <a href="#">Figure 17</a>	25°C	5 V	1	3.5	5	ns
				Full	4.5 V to 5.5 V	1		6	
Turn-off time	$t_{OFF}$	$V_{COM} = V_+$ or GND, $R_L = 500\ \Omega$ ,	$C_L = 50\text{ pF}$ , See <a href="#">Figure 17</a>	25°C	5 V	1	2.8	3.4	ns
				Full	4.5 V to 5.5 V	1		3.8	
Output voltage during undershoot	$V_{OUTU}$	See <a href="#">Figure 24</a>			2.5	$V_{OH} - 0.3$		V	
Output voltage during overshoot	$V_{OUTO}$	See <a href="#">Figure 24</a>				$V_{OL} + 0.3$	2	V	
Break-before-make time	$t_{BBM}$	$V_{NC} = V_{NO} = V_+/2$ , $R_L = 50\ \Omega$ ,	$C_L = 50\text{ pF}$ , See <a href="#">Figure 18</a>	25°C	5 V	0.5	5	12	ns
				Full	4.5 V to 5.5 V	0.5		14	
Charge injection	$Q_C$	$V_{GEN} = 0$ , $R_{GEN} = 0$ ,	$C_L = 0.1\text{ nF}$ , See <a href="#">Figure 22</a>	25°C	5 V		110	pC	
NC, NO OFF capacitance	$C_{NC(OFF)}$ , $C_{NO(OFF)}$	$V_{NC}$ or $V_{NO} = V_+$ or GND, Switch OFF,	See <a href="#">Figure 16</a>	25°C	5 V		5	pF	
NC, NO ON capacitance	$C_{NC(ON)}$ , $C_{NO(ON)}$	$V_{NC}$ or $V_{NO} = V_+$ or GND, Switch ON,	See <a href="#">Figure 16</a>	25°C	5 V		14.5	pF	
COM ON capacitance	$C_{COM(ON)}$	$V_{COM} = V_+$ or GND, Switch ON,	See <a href="#">Figure 16</a>	25°C	5 V		14.5	pF	
Digital input capacitance	$C_I$	$V_I = V_+$ or GND,	See <a href="#">Figure 16</a>	25°C	5 V		3.5	pF	
Bandwidth	BW	$R_L = 50\ \Omega$ , Switch ON,	See <a href="#">Figure 19</a>	25°C	5 V		371	MHz	
OFF isolation	$O_{ISO}$	$R_L = 50\ \Omega$ , $f = 10\text{ MHz}$ ,	Switch OFF, See <a href="#">Figure 20</a>	25°C	5 V		-61	dB	
Crosstalk	$X_{TALK}$	$R_L = 50\ \Omega$ , $f = 10\text{ MHz}$ ,	Switch ON, See <a href="#">Figure 21</a>	25°C	5 V		-61	dB	
Total harmonic distortion	THD	$R_L = 600\ \Omega$ , $C_L = 50\text{ pF}$ ,	$f = 20\text{ Hz to }20\text{ kHz}$ , See <a href="#">Figure 23</a>	25°C	5 V		0.06	%	
<b>Supply</b>									
Positive supply current	$I_+$	$V_I = V_+$ or GND,	Switch ON or OFF	25°C	5.5 V	0.01	0.15	$\mu\text{A}$	
				Full			1.2		

PRODUCT PREVIEW

**Electrical Characteristics for 3.3-V Supply**
 $V_+ = 3\text{ V to }3.6\text{ V}$ ,  $T_A = -40^\circ\text{C to }85^\circ\text{C}$  (unless otherwise noted)

PARAMETER	SYMBOL	TEST CONDITIONS	$T_A$	$V_+$	MIN	TYP	MAX	UNIT	
<b>Analog Switch</b>									
Analog signal range	$V_{COM}, V_{NO}, V_{NC}$				0		$V_+$	V	
Voltage undershoot	$V_{IKU}$	$0 \geq (I_{NC}, I_{NO}, \text{ or } I_{COM}) \geq -50\text{ mA}$		3.6 V				V	
Peak ON-state resistance	$r_{peak}$	$0 \leq (V_{NO} \text{ or } V_{NC}) \leq V_+$ , $I_{COM} = -24\text{ mA}$ , Switch ON, See <a href="#">Figure 14</a>	25°C	3 V		8.9	14	$\Omega$	
			Full				18		
ON-state resistance	$r_{on}$	$V_{NO} \text{ or } V_{NC} = 0$ , $I_{COM} = 24\text{ mA}$ Switch ON, See <a href="#">Figure 14</a>	25°C	3 V		5.4	8	$\Omega$	
			Full				10		
			25°C				7.4		12
			Full				15		
ON-state resistance match between channels	$\Delta r_{on}$	$V_{NO} \text{ or } V_{NC} = 2.1\text{ V}$ , $I_{COM} = -24\text{ mA}$ , Switch ON, See <a href="#">Figure 14</a>	25°C	3 V		0.1	0.2	$\Omega$	
			Full				0.2		
ON-state resistance flatness	$r_{on(Flat)}$	$0 \leq (V_{NO} \text{ or } V_{NC}) \leq V_+$ , $I_{COM} = -24\text{ mA}$ , Switch ON, See <a href="#">Figure 14</a>	25°C	3 V		2.8	4	$\Omega$	
			Full				7		
NC, NO OFF leakage current	$I_{NC(OFF)}, I_{NO(OFF)}$	$V_{NC} \text{ or } V_{NO} = 0 \text{ to } V_+$ , $V_{COM} = V_+ \text{ to } 0$ , Switch OFF, See <a href="#">Figure 15</a>	25°C	3.6 V		0.5	10	nA	
			Full				100		
NC, NO ON leakage current	$I_{NC(ON)}, I_{NO(ON)}$	$V_{NC} \text{ or } V_{NO} = 0 \text{ to } V_+$ , $V_{COM} = \text{Open}$ , Switch ON, See <a href="#">Figure 16</a>	25°C	3.6 V		0.5	10	nA	
			Full				100		
COM ON leakage current	$I_{COM(ON)}$	$V_{NC} \text{ or } V_{NO} = \text{Open}$ , $V_{COM} = 0 \text{ to } V_+$ , Switch ON, See <a href="#">Figure 16</a>	25°C	3.6 V		0.5	10	nA	
			Full				100		
<b>Digital Control Input (IN)</b>									
Input logic high	$V_{IH}$		Full		$V_+ \times 0.7$		5.5	V	
Input logic low	$V_{IL}$		Full		0		$V_+ \times 0.3$	V	
Input leakage current	$I_{IH}, I_{IL}$	$V_I = 5.5\text{ V or }0$	25°C	3.6 V		0.1	10	nA	
			Full				20		

**TS5A623157**  
**DUAL 10-Ω SPDT ANALOG SWITCH**  
**WITH UNDERSHOOT/OVERSHOOT VOLTAGE PROTECTION**

SCDS253–SEPTEMBER 2007

**Electrical Characteristics for 3.3-V Supply (continued)**

$V_+ = 3\text{ V to }3.6\text{ V}$ ,  $T_A = -40^\circ\text{C to }85^\circ\text{C}$  (unless otherwise noted)

PARAMETER	SYMBOL	TEST CONDITIONS	$T_A$	$V_+$	MIN	TYP	MAX	UNIT	
<b>Dynamic</b>									
Turn-on time	$t_{ON}$	$V_{COM} = V_+$ or GND, $R_L = 500\ \Omega$ ,	$C_L = 50\text{ pF}$ , See <a href="#">Figure 17</a>	25°C	3.3 V	1	4.7	9.0	ns
				Full	3 V to 3.6 V	1		10.0	
Turn-off time	$t_{OFF}$	$V_{COM} = V_+$ or GND, $R_L = 500\ \Omega$ ,	$C_L = 50\text{ pF}$ , See <a href="#">Figure 17</a>	25°C	3.3 V	1	3.2	6.3	ns
				Full	3 V to 3.6 V	1		7.0	
Output voltage during undershoot	$V_{OUTU}$	See <a href="#">Figure 24</a>			2.5	$V_{OH} - 0.3$		V	
Output voltage during overshoot	$V_{OUTO}$	See <a href="#">Figure 24</a>				$V_{OL} + 0.3$	2	V	
Break-before-make time	$t_{BBM}$	$V_{NC} = V_{NO} = V_+/2$ , $R_L = 50\ \Omega$ ,	$C_L = 50\text{ pF}$ , See <a href="#">Figure 18</a>	25°C	3.3 V	0.5	7	17	ns
				Full	3 V to 3.6 V	0.5		19.5	
Charge injection	$Q_C$	$V_{GEN} = 0$ , $R_{GEN} = 0$ ,	$C_L = 0.1\text{ nF}$ , See <a href="#">Figure 22</a>	25°C	3.3 V		75	pC	
NC, NO OFF capacitance	$C_{NC(OFF)}$ , $C_{NO(OFF)}$	$V_{NC}$ or $V_{NO} = V_+$ or GND, Switch OFF,	See <a href="#">Figure 16</a>	25°C	3.3 V		5	pF	
NC, NO ON capacitance	$C_{NC(ON)}$ , $C_{NO(ON)}$	$V_{NC}$ or $V_{NO} = V_+$ or GND, Switch ON,	See <a href="#">Figure 16</a>	25°C	3.3 V		14.5	pF	
COM ON capacitance	$C_{COM(ON)}$	$V_{COM} = V_+$ or GND, Switch ON,	See <a href="#">Figure 16</a>	25°C	3.3 V		14.5	pF	
Digital input capacitance	$C_I$	$V_I = V_+$ or GND,	See <a href="#">Figure 16</a>	25°C	3.3 V		3.5	pF	
Bandwidth	BW	$R_L = 50\ \Omega$ , Switch ON,	See <a href="#">Figure 19</a>	25°C	3.3 V		370	MHz	
OFF isolation	$O_{ISO}$	$R_L = 50\ \Omega$ , $f = 10\text{ MHz}$ ,	Switch OFF, See <a href="#">Figure 20</a>	25°C	3.3 V		-60	dB	
Crosstalk	$X_{TALK}$	$R_L = 50\ \Omega$ , $f = 10\text{ MHz}$ ,	Switch ON, See <a href="#">Figure 21</a>	25°C	3.3 V		-60	dB	
Total harmonic distortion	THD	$R_L = 600\ \Omega$ , $C_L = 50\text{ pF}$ ,	$f = 20\text{ Hz to }20\text{ kHz}$ , See <a href="#">Figure 23</a>	25°C	3.3 V		0.1	%	
<b>Supply</b>									
Positive supply current	$I_+$	$V_I = V_+$ or GND,	Switch ON or OFF	25°C	3.6 V		0.05	0.5	$\mu\text{A}$
				Full				0.75	

PRODUCT PREVIEW

### Electrical Characteristics for 2.5-V Supply

$V_+ = 2.3 \text{ V to } 2.7 \text{ V}$ ,  $T_A = -40^\circ\text{C to } 85^\circ\text{C}$  (unless otherwise noted)

PARAMETER	SYMBOL	TEST CONDITIONS		$T_A$	$V_+$	MIN	TYP	MAX	UNIT	
<b>Analog Switch</b>										
Analog signal range	$V_{COM}, V_{NO}, V_{NC}$					0		$V_+$	V	
Voltage undershoot	$V_{IKU}$	$0 \text{ mA} \geq (I_{NC}, I_{NO}, \text{ or } I_{COM}) \geq -50 \text{ mA}$			2.7 V				V	
Peak ON-state resistance	$r_{peak}$	$0 \leq (V_{NO} \text{ or } V_{NC}) \leq V_+$ , $I_{COM} = -8 \text{ mA}$ ,	Switch ON, See <a href="#">Figure 14</a>	25°C	2.3 V		13.9	30	$\Omega$	
				Full						35
ON-state resistance	$r_{on}$	$V_{NO} \text{ or } V_{NC} = 0$ , $I_{COM} = 8 \text{ mA}$	Switch ON, See <a href="#">Figure 14</a>	25°C	2.3 V		6.6	8.5	$\Omega$	
				Full						12
		$V_{NO} \text{ or } V_{NC} = 2.3 \text{ V}$ , $I_{COM} = -8 \text{ mA}$		25°C				8.9		18
				Full						
ON-state resistance match between channels	$\Delta r_{on}$	$V_{NO} \text{ or } V_{NC} = 1.6 \text{ V}$ , $I_{COM} = -8 \text{ mA}$ ,	Switch ON, See <a href="#">Figure 14</a>	25°C	2.3 V		0.05	0.3	$\Omega$	
				Full						0.5
ON-state resistance flatness	$r_{on(Flat)}$	$0 \leq (V_{NO} \text{ or } V_{NC}) \leq V_+$ , $I_{COM} = -8 \text{ mA}$ ,	Switch ON, See <a href="#">Figure 14</a>	25°C	2.3 V		5	15	$\Omega$	
				Full						20
NC, NO OFF leakage current	$I_{NC(OFF)}, I_{NO(OFF)}$	$V_{NC} \text{ or } V_{NO} = 0 \text{ to } V_+$ , $V_{COM} = V_+ \text{ to } 0$ ,	Switch OFF, See <a href="#">Figure 15</a>	25°C	2.7 V		0.1	10	nA	
				Full						100
NC, NO ON leakage current	$I_{NC(ON)}, I_{NO(ON)}$	$V_{NC} \text{ or } V_{NO} = 0 \text{ to } V_+$ , $V_{COM} = \text{Open}$ ,	Switch ON, See <a href="#">Figure 16</a>	25°C	2.7 V		0.1	10	nA	
				Full						10
COM ON leakage current	$I_{COM(ON)}$	$V_{NC} \text{ or } V_{NO} = \text{Open}$ , $V_{COM} = 0 \text{ to } V_+$ ,	Switch ON, See <a href="#">Figure 16</a>	25°C	2.7 V		0.1	10	nA	
				Full						100
<b>Digital Control Input (IN)</b>										
Input logic high	$V_{IH}$			Full		$V_+ \times 0.75$		5.5	V	
Input logic low	$V_{IL}$			Full		0		$V_+ \times 0.25$	V	
Input leakage current	$I_{IH}, I_{IL}$	$V_I = 5.5 \text{ V or } 0$		25°C	2.7 V		5	10	nA	
				Full						20

**TS5A623157**  
**DUAL 10-Ω SPDT ANALOG SWITCH**  
**WITH UNDERSHOOT/OVERSHOOT VOLTAGE PROTECTION**

SCDS253–SEPTEMBER 2007

**Electrical Characteristics for 2.5-V Supply (continued)**

$V_+ = 2.3 \text{ V to } 2.7 \text{ V}$ ,  $T_A = -40^\circ\text{C to } 85^\circ\text{C}$  (unless otherwise noted)

PARAMETER	SYMBOL	TEST CONDITIONS	$T_A$	$V_+$	MIN	TYP	MAX	UNIT
<b>Dynamic</b>								
Turn-on time	$t_{ON}$	$V_{COM} = V_+$ or GND, $R_L = 500 \Omega$ , $C_L = 50 \text{ pF}$ , See <a href="#">Figure 17</a>	25°C	2.5 V	2	6.2	9.6	ns
			Full	2.3 V to 2.7 V	2		12	
Turn-off time	$t_{OFF}$	$V_{COM} = V_+$ or GND, $R_L = 500 \Omega$ , $C_L = 50 \text{ pF}$ , See <a href="#">Figure 17</a>	25°C	2.5 V	1.5	4.5	7.0	ns
			Full	2.3 V to 2.7 V	1.5		7.5	
Output voltage during undershoot	$V_{OUTU}$	See <a href="#">Figure 24</a>			$V_{OH} - 0.3$			V
Output voltage during overshoot	$V_{OUTO}$	See <a href="#">Figure 24</a>			$V_{OL} + 0.3$			2 V
Break-before-make time	$t_{BBM}$	$V_{NC} = V_{NO} = V_+/2$ , $R_L = 50 \Omega$ , $C_L = 50 \text{ pF}$ , See <a href="#">Figure 18</a>	25°C	2.5 V	0.5	10	25	ns
			Full	2.3 V to 2.7 V	0.5		28.5	
Charge injection	$Q_C$	$V_{GEN} = 0$ , $R_{GEN} = 0$ , $C_L = 0.1 \text{ nF}$ , See <a href="#">Figure 22</a>	25°C	2.5 V	58			pC
NC, NO OFF capacitance	$C_{NC(OFF)}$ , $C_{NO(OFF)}$	$V_{NC}$ or $V_{NO} = V_+$ or GND, Switch OFF,	25°C	2.5 V	5			pF
NC, NO ON capacitance	$C_{NC(ON)}$ , $C_{NO(ON)}$	$V_{NC}$ or $V_{NO} = V_+$ or GND, Switch ON,	25°C	2.5 V	14.5			pF
COM ON capacitance	$C_{COM(ON)}$	$V_{COM} = V_+$ or GND, Switch ON,	25°C	2.5 V	14.5			pF
Digital input capacitance	$C_I$	$V_I = V_+$ or GND,	25°C	2.5 V	3.5			pF
Bandwidth	BW	$R_L = 50 \Omega$ , Switch ON,	25°C	2.5 V	367			MHz
OFF isolation	$O_{ISO}$	$R_L = 50 \Omega$ , $f = 10 \text{ MHz}$ ,	25°C	2.5 V	-60			dB
Crosstalk	$X_{TALK}$	$R_L = 50 \Omega$ , $f = 10 \text{ MHz}$ ,	25°C	2.5 V	-60			dB
Total harmonic distortion	THD	$R_L = 600 \Omega$ , $C_L = 50 \text{ pF}$ ,	25°C	2.5 V	0.15			%
<b>Supply</b>								
Positive supply current	$I_+$	$V_I = V_+$ or GND, Switch ON or OFF	25°C	2.7 V	50			nA
			Full		550			

PRODUCT PREVIEW



### Electrical Characteristics for 1.8-V Supply

$V_+ = 1.65\text{ V to }1.95\text{ V}$ ,  $T_A = -40^\circ\text{C to }85^\circ\text{C}$  (unless otherwise noted)

PARAMETER	SYMBOL	TEST CONDITIONS	$T_A$	$V_+$	MIN	TYP	MAX	UNIT
<b>Analog Switch</b>								
Analog signal range	$V_{COM}, V_{NO}, V_{NC}$				0		$V_+$	V
Voltage undershoot	$V_{IKU}$	$0 \geq (I_{NC}, I_{NO}, \text{ or } I_{COM}) \geq -50\text{ mA}$		1.95 V				V
Peak ON-state resistance	$r_{peak}$	$0 \leq (V_{NO} \text{ or } V_{NC}) \leq V_+$ , $I_{COM} = -4\text{ mA}$ , Switch ON, See <a href="#">Figure 14</a>	25°C	1.65 V		41.1	60	$\Omega$
			Full					
ON-state resistance	$r_{on}$	$V_{NO} \text{ or } V_{NC} = 0$ , $I_{COM} = 4\text{ mA}$ , Switch ON, See <a href="#">Figure 14</a>	25°C	1.65 V		9.2	15	$\Omega$
			Full					
			25°C					
			Full					
ON-state resistance match between channels	$\Delta r_{on}$	$V_{NO} \text{ or } V_{NC} = 1.15\text{ V}$ , $I_{COM} = -4\text{ mA}$ , Switch ON, See <a href="#">Figure 14</a>	25°C	1.65 V		0.1	0.6	$\Omega$
			Full					
ON-state resistance flatness	$r_{on(Flat)}$	$0 \leq (V_{NO} \text{ or } V_{NC}) \leq V_+$ , $I_{COM} = -4\text{ mA}$ , Switch ON, See <a href="#">Figure 14</a>	25°C	1.65 V		26.5	80	$\Omega$
Full								
NC, NO OFF leakage current	$I_{NC(OFF)}, I_{NO(OFF)}$	$V_{NC} \text{ or } V_{NO} = 0 \text{ to } V_+$ , $V_{COM} = V_+ \text{ to } 0$ , Switch OFF, See <a href="#">Figure 15</a>	25°C	1.95 V		0.05	10	nA
			Full					
NC, NO ON leakage current	$I_{NC(ON)}, I_{NO(ON)}$	$V_{NC} \text{ or } V_{NO} = 0 \text{ to } V_+$ , $V_{COM} = \text{Open}$ , Switch ON, See <a href="#">Figure 16</a>	25°C	1.95 V		0.1	10	$\mu\text{A}$
			Full					
COM ON leakage current	$I_{COM(ON)}$	$V_{NC} \text{ or } V_{NO} = \text{Open}$ , $V_{COM} = 0 \text{ to } V_+$ , Switch ON, See <a href="#">Figure 16</a>	25°C	1.95 V		0.1	10	nA
			Full					
<b>Digital Control Input (IN)</b>								
Input logic high	$V_{IH}$		Full		$V_+ \times 0.75$		5.5	V
Input logic low	$V_{IL}$		Full		0		$V_+ \times 0.25$	V
Input leakage current	$I_{IH}, I_{IL}$	$V_I = 5.5\text{ V or }0$	25°C	1.95 V		0.05	1	nA
			Full					

**TS5A623157**  
**DUAL 10-Ω SPDT ANALOG SWITCH**  
**WITH UNDERSHOOT/OVERSHOOT VOLTAGE PROTECTION**

SCDS253–SEPTEMBER 2007

**Electrical Characteristics for 1.8-V Supply (continued)**

$V_+ = 1.65\text{ V to }1.95\text{ V}$ ,  $T_A = -40^\circ\text{C to }85^\circ\text{C}$  (unless otherwise noted)

PARAMETER	SYMBOL	TEST CONDITIONS	$T_A$	$V_+$	MIN	TYP	MAX	UNIT
<b>Dynamic</b>								
Turn-on time	$t_{ON}$	$V_{COM} = V_+$ or GND, $R_L = 500\ \Omega$ , $C_L = 50\text{ pF}$ , See <a href="#">Figure 17</a>	25°C	1.8 V	9.6	23	ns	
			Full	1.65 V to 1.95 V		24		
Turn-off time	$t_{OFF}$	$V_{COM} = V_+$ or GND, $R_L = 500\ \Omega$ , $C_L = 50\text{ pF}$ , See <a href="#">Figure 17</a>	25°C	1.8 V	6.3	10	ns	
			Full	1.65 V to 1.95 V		12		
Output voltage during undershoot	$V_{OUTU}$	See <a href="#">Figure 24</a>			$V_{OH} - 0.3$		V	
Output voltage during overshoot	$V_{OUTO}$	See <a href="#">Figure 24</a>			$V_{OL} + 0.3$		V	
Break-before-make time	$t_{BBM}$	$V_{NC} = V_{NO} = V_+/2$ , $R_L = 50\ \Omega$ , $C_L = 50\text{ pF}$ , See <a href="#">Figure 18</a>	25°C	1.8 V	0.5	18	50	ns
			Full	1.65 V to 1.95 V	0.5	55		
Charge injection	$Q_C$	$V_{GEN} = 0$ , $R_{GEN} = 0$ , $C_L = 0.1\text{ nF}$ , See <a href="#">Figure 22</a>	25°C	1.8 V	40		pC	
NC, NO OFF capacitance	$C_{NC(OFF)}$ , $C_{NO(OFF)}$	$V_{NC}$ or $V_{NO} = V_+$ or GND, Switch OFF, See <a href="#">Figure 16</a>	25°C	1.8 V	5.0		pF	
NC, NO ON capacitance	$C_{NC(ON)}$ , $C_{NO(ON)}$	$V_{NC}$ or $V_{NO} = V_+$ or GND, Switch ON, See <a href="#">Figure 16</a>	25°C	1.8 V	14.5		pF	
COM ON capacitance	$C_{COM(ON)}$	$V_{COM} = V_+$ or GND, Switch ON, See <a href="#">Figure 16</a>	25°C	1.8 V	14.5		pF	
Digital input capacitance	$C_I$	$V_I = V_+$ or GND, See <a href="#">Figure 16</a>	25°C	1.8 V	3.5		pF	
Bandwidth	BW	$R_L = 50\ \Omega$ , Switch ON, See <a href="#">Figure 19</a>	25°C	1.8 V	369		MHz	
OFF isolation	$O_{ISO}$	$R_L = 50\ \Omega$ , $f = 10\text{ MHz}$ , Switch OFF, See <a href="#">Figure 20</a>	25°C	1.8 V	-60		dB	
Crosstalk	$X_{TALK}$	$R_L = 50\ \Omega$ , $f = 10\text{ MHz}$ , Switch ON, See <a href="#">Figure 21</a>	25°C	1.8 V	-60		dB	
Total harmonic distortion	THD	$R_L = 600\ \Omega$ , $C_L = 50\text{ pF}$ , $f = 20\text{ Hz to }20\text{ kHz}$ , See <a href="#">Figure 23</a>	25°C	1.8 V	0.4		%	
<b>Supply</b>								
Positive supply current	$I_+$	$V_I = V_+$ or GND, Switch ON or OFF	25°C	1.95 V	0.1	50	nA	
			Full		400			

PRODUCT PREVIEW

**PIN DESCRIPTION**

PIN NO.	NAME	DESCRIPTION
1	IN1	Digital control to connect COM to NO or NC
2	NO1	Normally open
3	GND	Digital ground
4	NO2	Normally open
5	IN2	Digital control to connect COM to NO or NC
6	COM2	Common
7	NC2	Normally closed
8	V+	Power supply
9	NC1	Normally closed
10	COM1	Common

**PARAMETER DESCRIPTION**

SYMBOL	DESCRIPTION
$V_{COM}$	Voltage at COM
$V_{NC}$	Voltage at NC
$V_{NO}$	Voltage at NO
$r_{on}$	Resistance between COM and NC or COM and NO ports when the channel is ON
$\Delta r_{on}$	Difference of $r_{on}$ between channels
$r_{on(flat)}$	Difference between the maximum and minimum value of $r_{on}$ in a channel over the specified range of conditions
$I_{NC(OFF)}$	Leakage current measured at the NC port, with the corresponding channel (NC to COM) in the OFF state under worst-case input and output conditions
$I_{NO(OFF)}$	Leakage current measured at the NO port, with the corresponding channel (NO to COM) in the OFF state under worst-case input and output conditions
$I_{NC(ON)}$	Leakage current measured at the NC port, with the corresponding channel (NC to COM) in the ON state and the output (COM) being open
$I_{NO(ON)}$	Leakage current measured at the NO port, with the corresponding channel (NO to COM) in the ON state and the output (COM) being open
$I_{COM(ON)}$	Leakage current measured at the COM port, with the corresponding channel (NO to COM or NC to COM) in the ON state and the output (NC or NO) being open
$V_{IH}$	Minimum input voltage for logic high for the control input (IN)
$V_{IL}$	Minimum input voltage for logic low for the control input (IN)
$V_{IN}$	Voltage at control input (IN)
$I_{IH}, I_{IL}$	Leakage current measured at control input (IN)
$t_{ON}$	Turn-on time for the switch. This parameter is measured under the specified range of conditions and by the propagation delay between the digital control (IN) signal and analog outputs (COM/NC/NO) signal when the switch is turning ON.
$t_{OFF}$	Turn-off time for the switch. This parameter is measured under the specified range of conditions and by the propagation delay between the digital control (IN) signal and analog outputs (COM/NC/NO) signal when the switch is turning OFF.
$t_{BBM}$	Break-before-make time. This parameter is measured under the specified range of conditions and by the propagation delay between the output of two adjacent analog channels (NC and NO) when the control signal changes state.
$Q_C$	Charge injection is a measurement of unwanted signal coupling from the control (IN) input to the analog (NC, NO, or COM) output. This is measured in coulombs (=) and measured by the total charge induced due to switching of the control input. Charge injection, $Q_C = C_L \times \Delta V_O$ , $C_L$ is the load capacitance and $\Delta V_O$ is the change in analog output voltage.
$C_{NC(OFF)}$	Capacitance at the NC port when the corresponding channel (NC to COM) is OFF
$C_{NO(OFF)}$	Capacitance at the NO port when the corresponding channel (NC to COM) is OFF
$C_{NC(ON)}$	Capacitance at the NC port when the corresponding channel (NC to COM) is ON
$C_{NO(ON)}$	Capacitance at the NO port when the corresponding channel (NC to COM) is ON
$C_{COM(ON)}$	Capacitance at the COM port when the corresponding channel (COM to NC or COM to NO) is ON
$C_1$	Capacitance of control input (IN)
$O_{ISO}$	OFF isolation of the switch is a measurement of OFF-state switch impedance. This is measured in dB in a specific frequency, with the corresponding channel (NC to COM or NO to COM) in the OFF state.

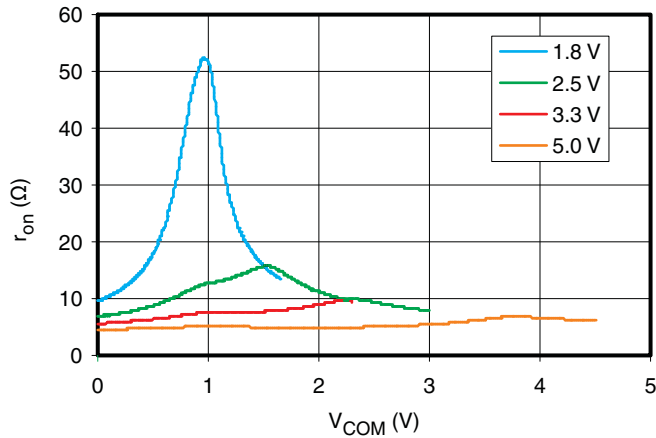
**TS5A623157**  
**DUAL 10-Ω SPDT ANALOG SWITCH**  
**WITH UNDERSHOOT/OVERSHOOT VOLTAGE PROTECTION**

SCDS253–SEPTEMBER 2007

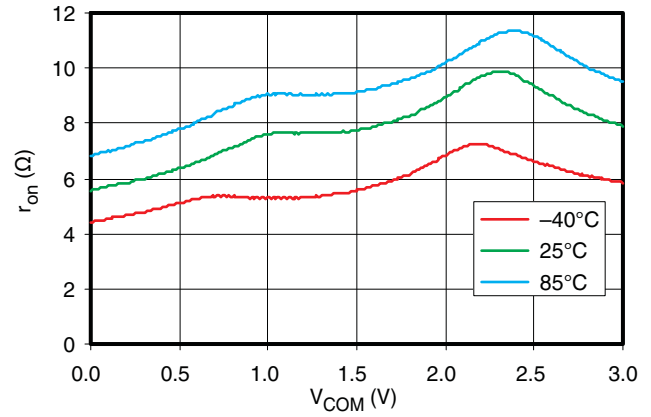
**PARAMETER DESCRIPTION (continued)**

<b>SYMBOL</b>	<b>DESCRIPTION</b>
$X_{\text{TALK}}$	Crosstalk is a measurement of unwanted signal coupling from an ON channel to an OFF channel (NC to NO or NO to NC). This is measured at a specific frequency and in dB.
BW	Bandwidth of the switch. This is the frequency where the gain of an ON channel is –3 dB below the dc gain.
THD	Total harmonic distortion is defined as the ratio of the root mean square (RMS) value of the second, third, and higher harmonics to the magnitude of fundamental harmonic.
I+	Static power-supply current with the control (IN) pin at V+ or GND
$V_{\text{OUTU}}$	Output voltage during an undershoot event. This is measured by turning off a specific channel and applying an undershoot voltage at the input of the switch.
$V_{\text{OUTO}}$	Output voltage during an overshoot event. This is measured by turning off a specific channel and applying an overshoot voltage at the input of the switch.

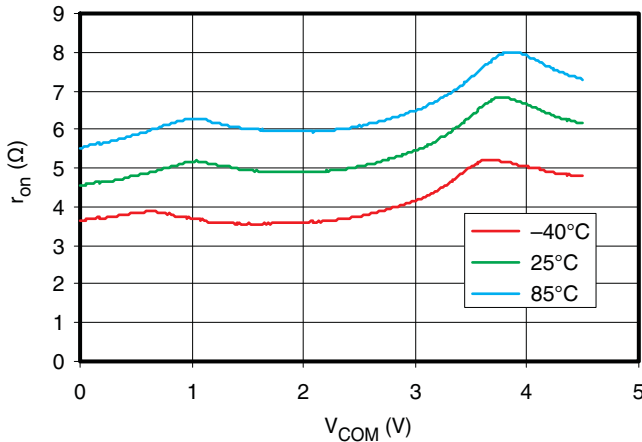
**TYPICAL CHARACTERISTICS**



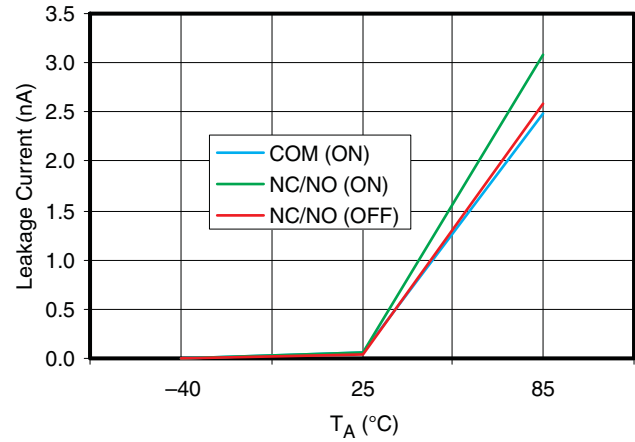
**Figure 1.  $r_{ON}$  vs  $V_{COM}$**



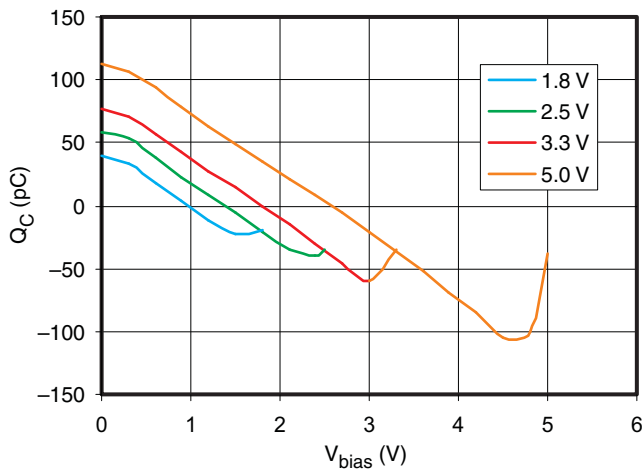
**Figure 2.  $r_{ON}$  vs  $V_{COM}$  ( $V_+ = 3.3$  V)**



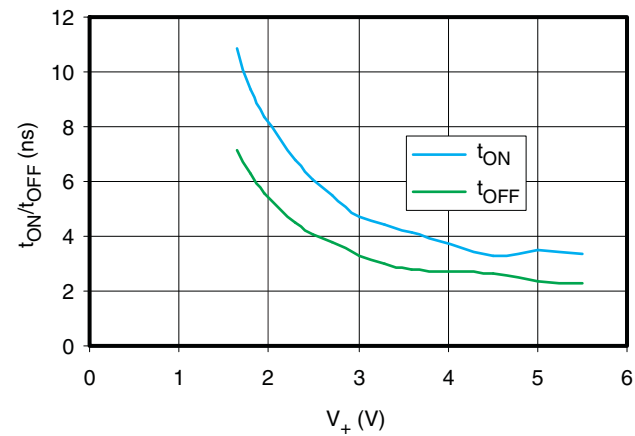
**Figure 3.  $r_{ON}$  vs  $V_{COM}$  ( $V_+ = 5$  V)**



**Figure 4. Leakage Current vs Temperature**



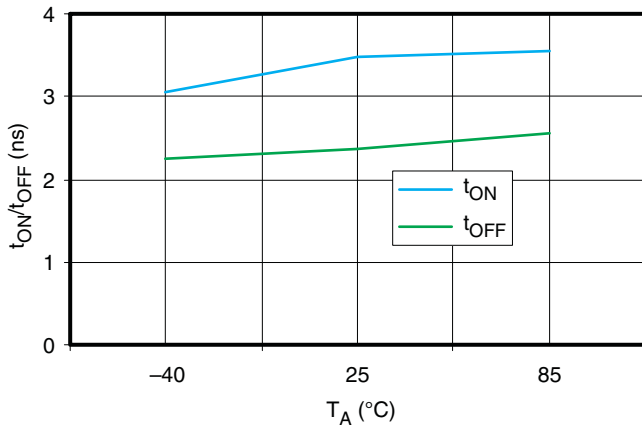
**Figure 5. Charge Injection vs  $V_{COM}$**



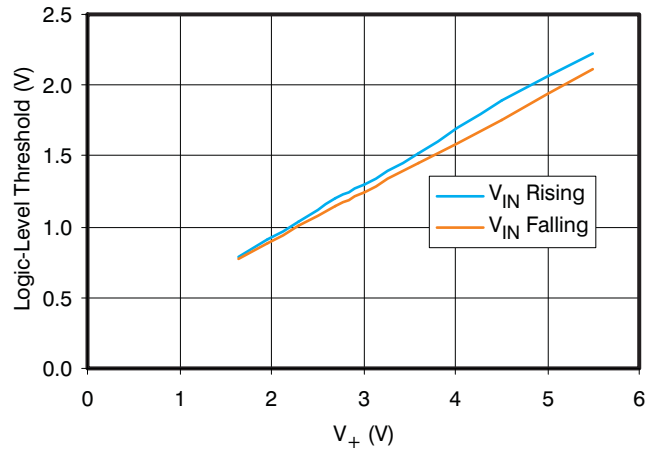
**Figure 6.  $t_{ON}$  and  $t_{OFF}$  vs Supply Voltage**

**PRODUCT PREVIEW**

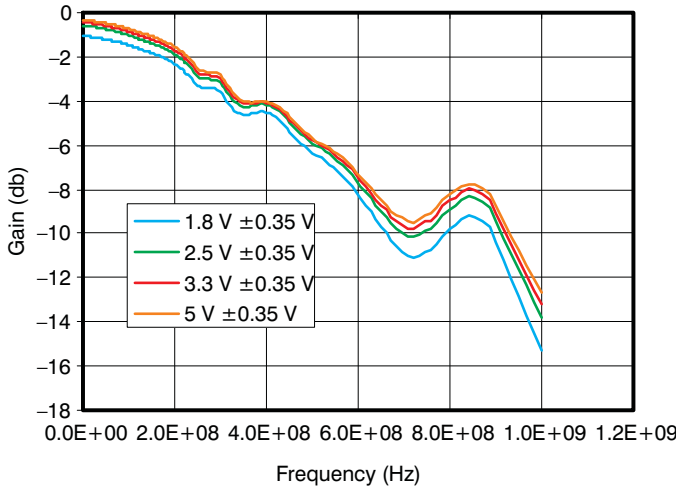
**TYPICAL CHARACTERISTICS (continued)**



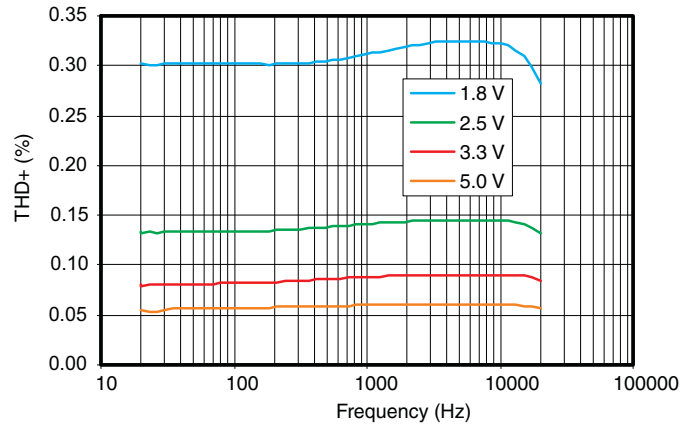
**Figure 7.  $t_{ON}$  and  $t_{OFF}$  vs Temperature**



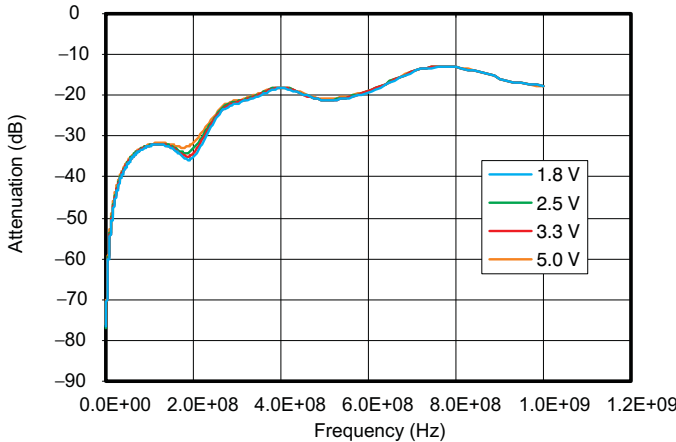
**Figure 8. Logic-Level Threshold**



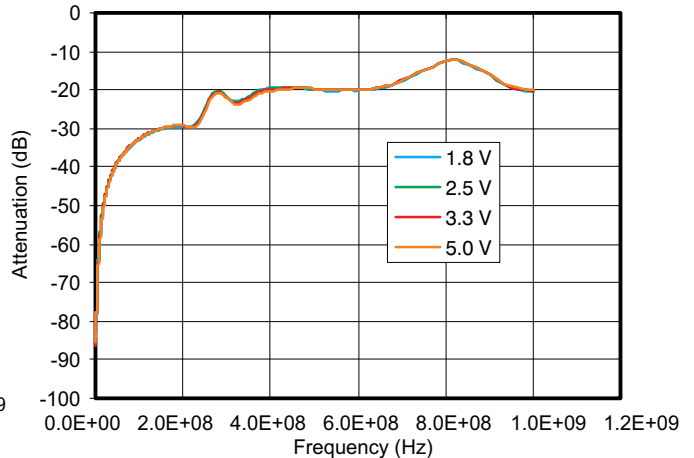
**Figure 9. Bandwidth (BW)**



**Figure 10. Total Harmonic Distortion (THD) vs Frequency**



**Figure 11. Off Isolation**



**Figure 12. Crosstalk**

**PRODUCT PREVIEW**

TYPICAL CHARACTERISTICS (continued)

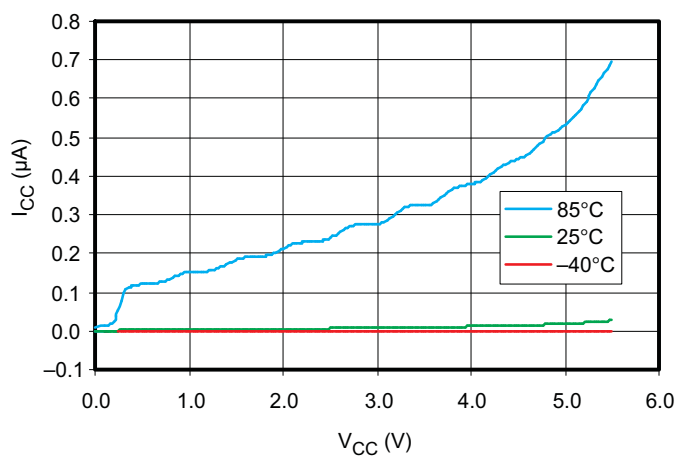


Figure 13. Supply Current vs Supply Voltage

PRODUCT PREVIEW

PARAMETER MEASUREMENT INFORMATION

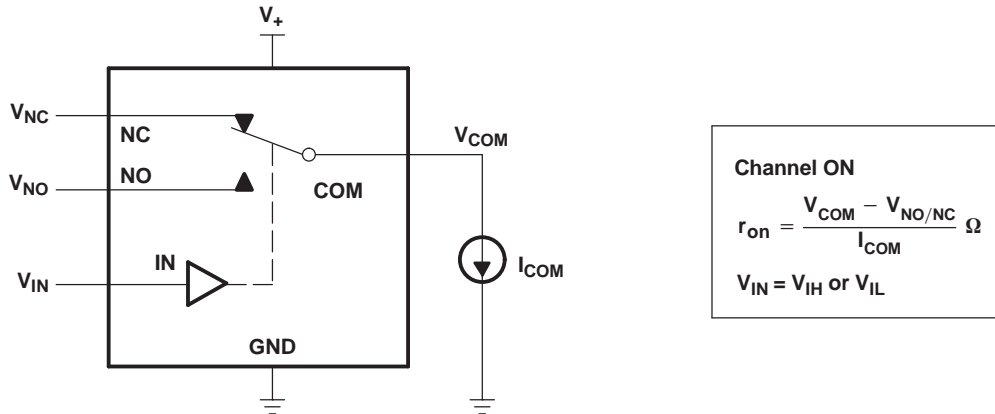


Figure 14. ON-State Resistance ( $r_{on}$ )

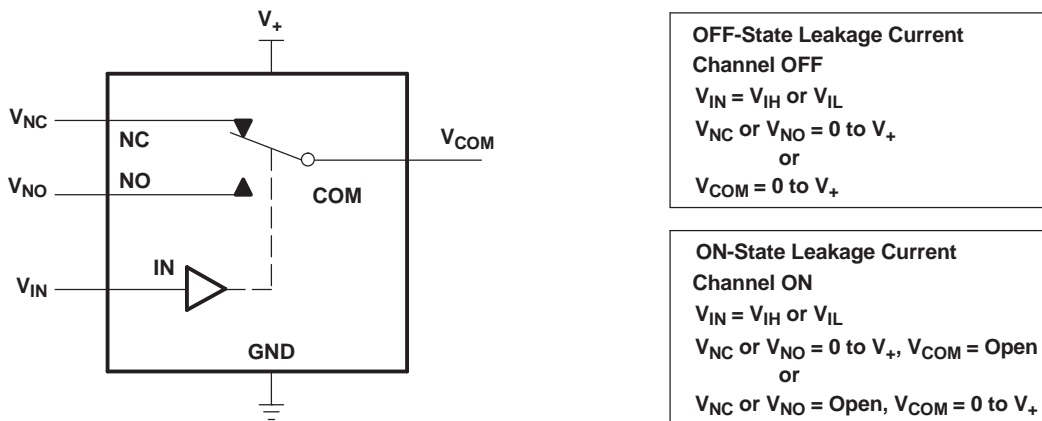


Figure 15. ON- and OFF-State Leakage Current ( $I_{COM(ON)}$ ,  $I_{NC(OFF)}$ ,  $I_{NO(OFF)}$ ,  $I_{NC(ON)}$ ,  $I_{NO(ON)}$ )

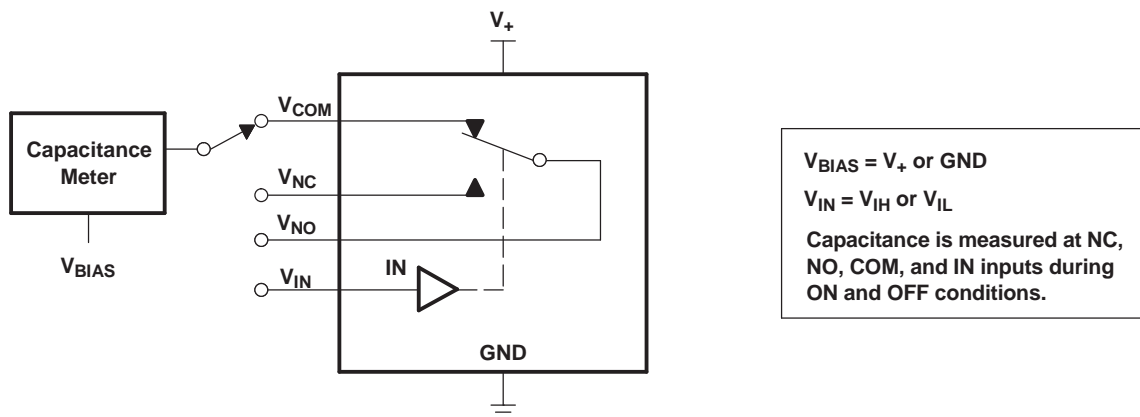
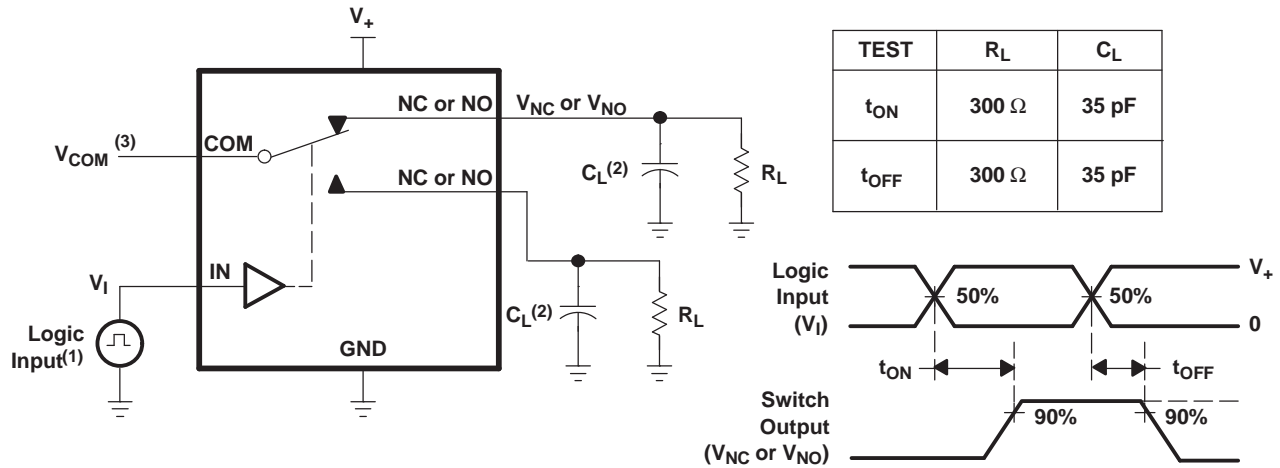


Figure 16. Capacitance ( $C_{IN}$ ,  $C_{COM(ON)}$ ,  $C_{NC(OFF)}$ ,  $C_{NO(OFF)}$ ,  $C_{NC(ON)}$ ,  $C_{NO(ON)}$ )



PARAMETER MEASUREMENT INFORMATION (continued)



- (1) All input pulses are supplied by generators having the following characteristics: PRR ≤ 10 MHz, Z<sub>O</sub> = 50 Ω, t<sub>r</sub> < 5 ns, t<sub>f</sub> < 5 ns.
- (2) C<sub>L</sub> includes probe and jig capacitance.
- (3) See Electrical Characteristic for V<sub>COM</sub>.

Figure 17. Turn-On (t<sub>ON</sub>) and Turn-Off (t<sub>OFF</sub>) Time

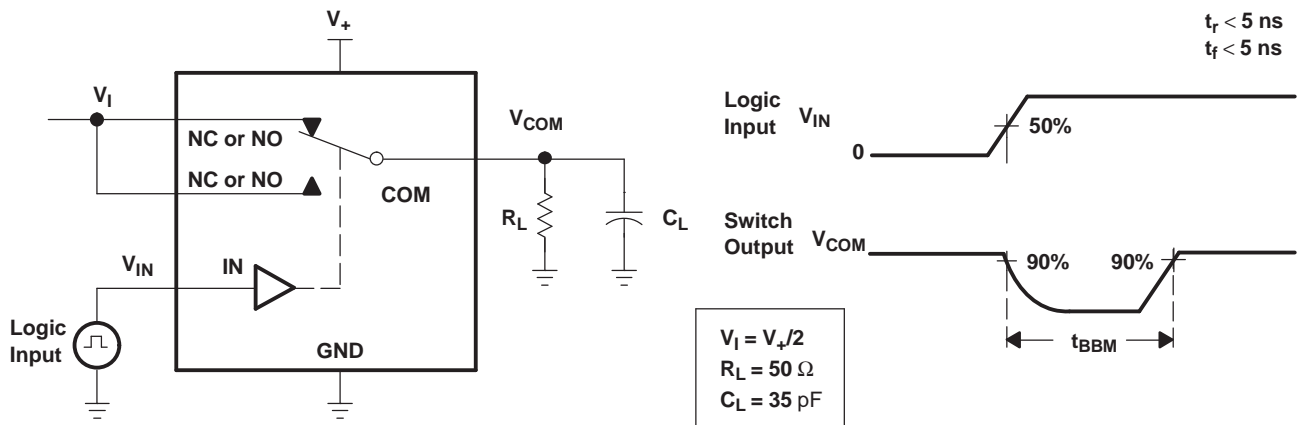


Figure 18. Break-Before-Make (t<sub>BBM</sub>) Time

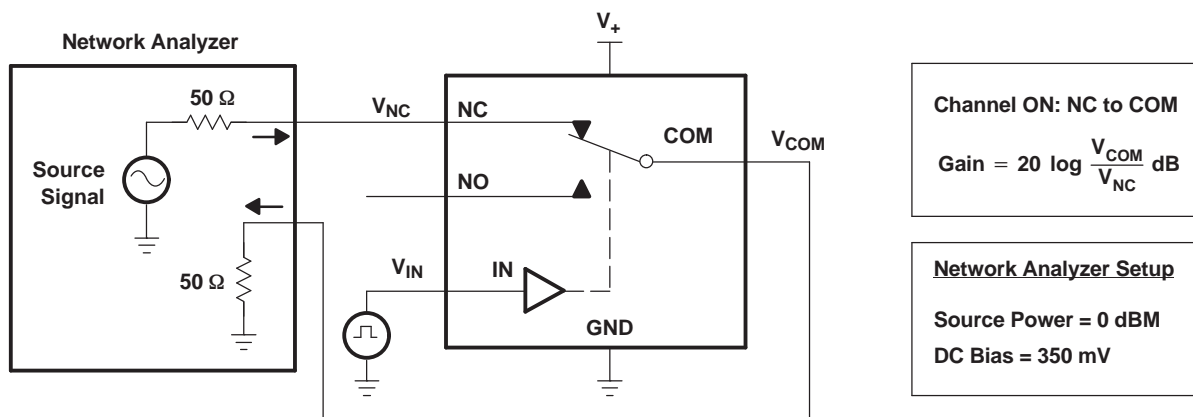


Figure 19. Frequency Response (BW)

PARAMETER MEASUREMENT INFORMATION (continued)

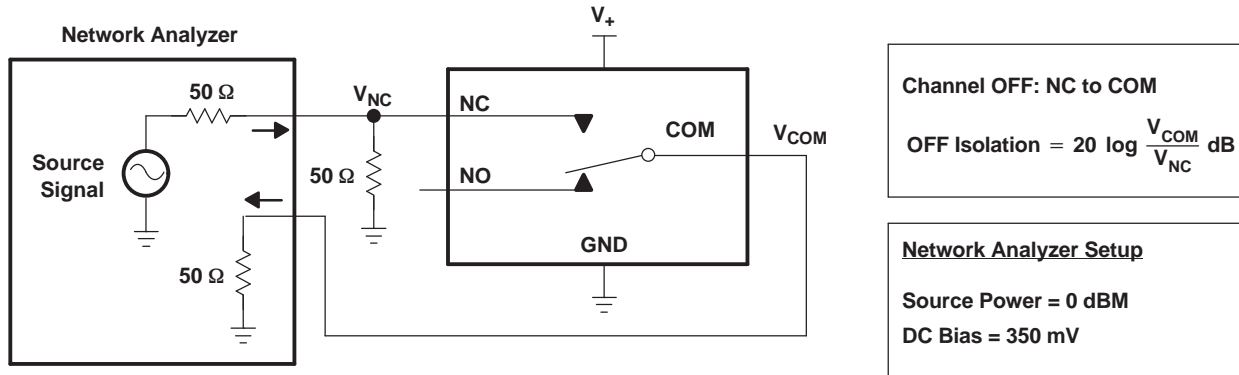


Figure 20. OFF Isolation ( $O_{ISO}$ )

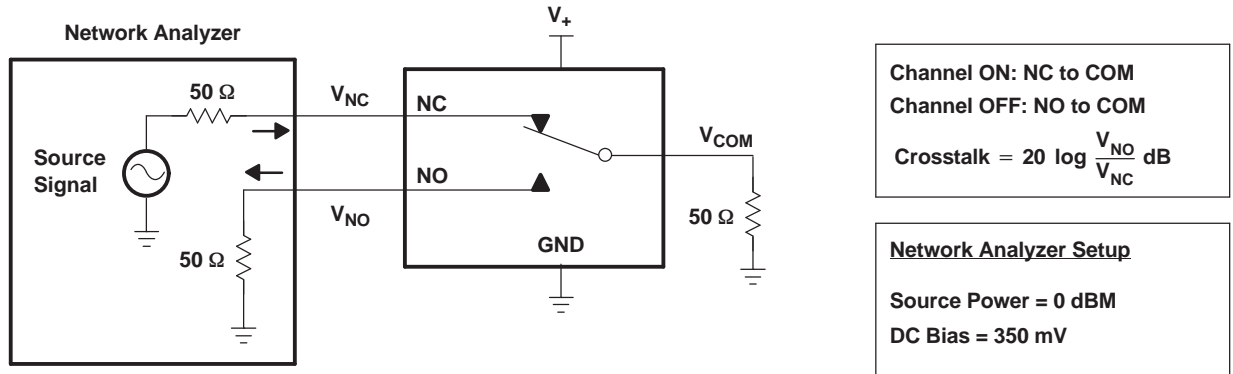


Figure 21. Crosstalk ( $X_{TALK}$ )

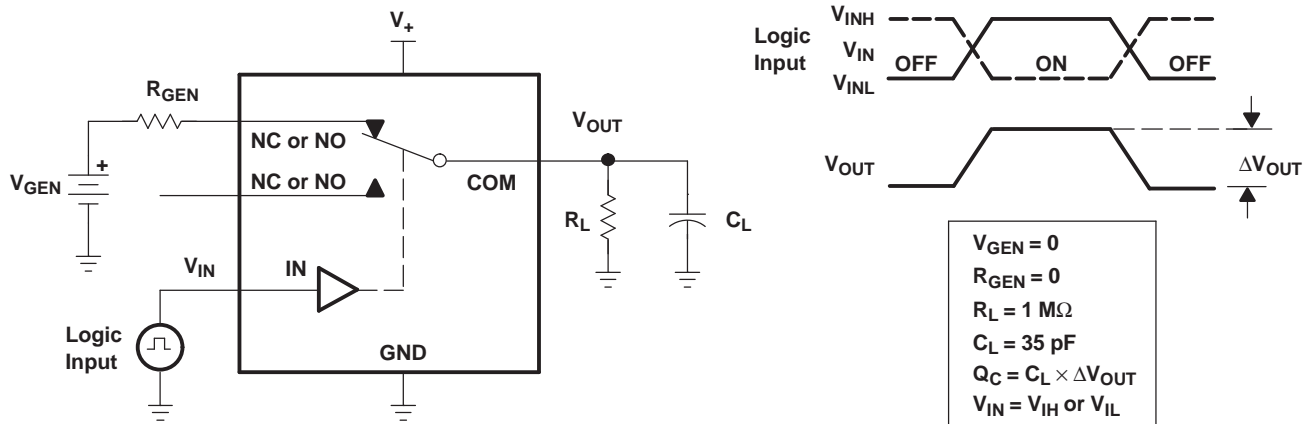


Figure 22. Charge Injection ( $Q_C$ )

PARAMETER MEASUREMENT INFORMATION (continued)

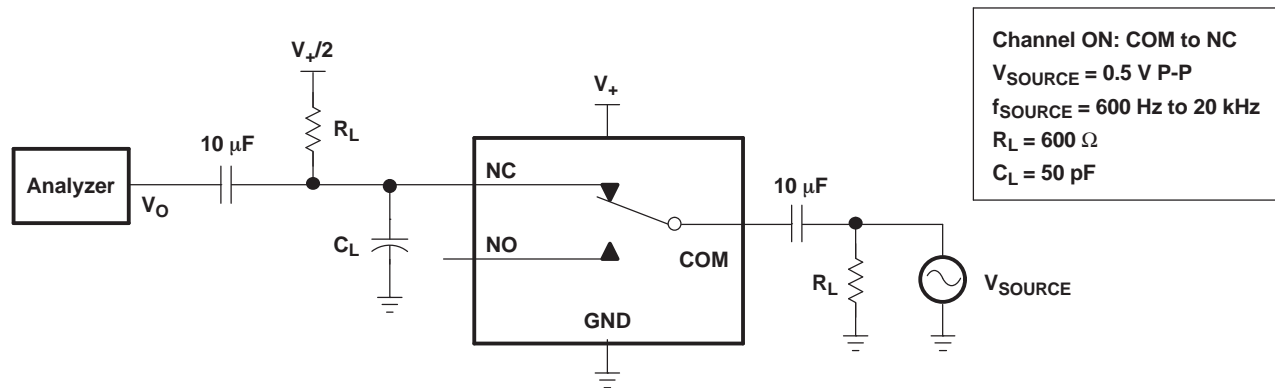
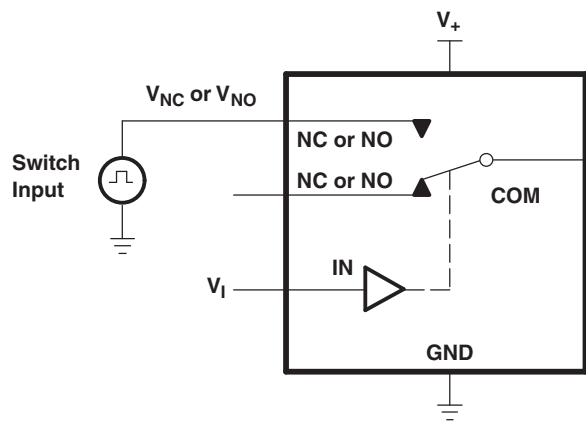


Figure 23. Total Harmonic Distortion (THD)



TEST	$R_L$	$C_L$	$V_{TR}$	$V_I$
$V_{OUTU}$	100 kΩ	10 pF	7 V	$V_+$ or GND Switch OFF
$V_{OUTO}$	100 kΩ	10 pF	GND	$V_+$ or GND Switch OFF

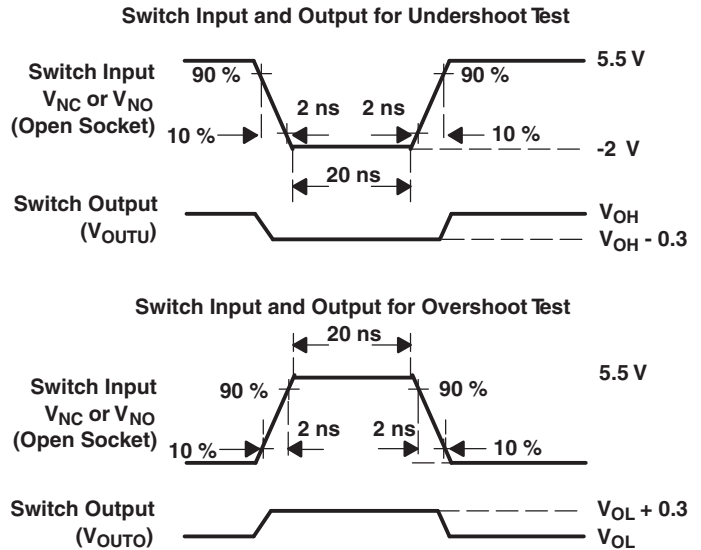


Figure 24. Undershoot and Overshoot Test

PRODUCT PREVIEW

**PACKAGING INFORMATION**

Orderable Device	Status <sup>(1)</sup>	Package Type	Package Drawing	Pins	Package Qty	Eco Plan <sup>(2)</sup>	Lead/Ball Finish	MSL Peak Temp <sup>(3)</sup>
TS5A623157DGSR	ACTIVE	MSOP	DGS	10	2500	Green (RoHS & no Sb/Br)	CU NIPDAU	Level-1-260C-UNLIM
TS5A623157DGSRG4	ACTIVE	MSOP	DGS	10	2500	Green (RoHS & no Sb/Br)	CU NIPDAU	Level-1-260C-UNLIM
TS5A623157RSER	PREVIEW	QFN	RSE	10	3000	TBD	Call TI	Call TI

<sup>(1)</sup> The marketing status values are defined as follows:

**ACTIVE:** Product device recommended for new designs.

**LIFEBUY:** TI has announced that the device will be discontinued, and a lifetime-buy period is in effect.

**NRND:** Not recommended for new designs. Device is in production to support existing customers, but TI does not recommend using this part in a new design.

**PREVIEW:** Device has been announced but is not in production. Samples may or may not be available.

**OBSOLETE:** TI has discontinued the production of the device.

<sup>(2)</sup> Eco Plan - The planned eco-friendly classification: Pb-Free (RoHS), Pb-Free (RoHS Exempt), or Green (RoHS & no Sb/Br) - please check <http://www.ti.com/productcontent> for the latest availability information and additional product content details.

**TBD:** The Pb-Free/Green conversion plan has not been defined.

**Pb-Free (RoHS):** TI's terms "Lead-Free" or "Pb-Free" mean semiconductor products that are compatible with the current RoHS requirements for all 6 substances, including the requirement that lead not exceed 0.1% by weight in homogeneous materials. Where designed to be soldered at high temperatures, TI Pb-Free products are suitable for use in specified lead-free processes.

**Pb-Free (RoHS Exempt):** This component has a RoHS exemption for either 1) lead-based flip-chip solder bumps used between the die and package, or 2) lead-based die adhesive used between the die and leadframe. The component is otherwise considered Pb-Free (RoHS compatible) as defined above.

**Green (RoHS & no Sb/Br):** TI defines "Green" to mean Pb-Free (RoHS compatible), and free of Bromine (Br) and Antimony (Sb) based flame retardants (Br or Sb do not exceed 0.1% by weight in homogeneous material)

<sup>(3)</sup> MSL, Peak Temp. -- The Moisture Sensitivity Level rating according to the JEDEC industry standard classifications, and peak solder temperature.

**Important Information and Disclaimer:**The information provided on this page represents TI's knowledge and belief as of the date that it is provided. TI bases its knowledge and belief on information provided by third parties, and makes no representation or warranty as to the accuracy of such information. Efforts are underway to better integrate information from third parties. TI has taken and continues to take reasonable steps to provide representative and accurate information but may not have conducted destructive testing or chemical analysis on incoming materials and chemicals. TI and TI suppliers consider certain information to be proprietary, and thus CAS numbers and other limited information may not be available for release.

In no event shall TI's liability arising out of such information exceed the total purchase price of the TI part(s) at issue in this document sold by TI to Customer on an annual basis.

**TAPE AND REEL INFORMATION**



**QUADRANT ASSIGNMENTS FOR PIN 1 ORIENTATION IN TAPE**



\*All dimensions are nominal

Device	Package Type	Package Drawing	Pins	SPQ	Reel Diameter (mm)	Reel Width W1 (mm)	A0 (mm)	B0 (mm)	K0 (mm)	P1 (mm)	W (mm)	Pin1 Quadrant
TS5A623157DGSR	MSOP	DGS	10	2500	330.0	13.0	5.3	3.4	1.4	8.0	12.0	Q1

**TAPE AND REEL BOX DIMENSIONS**

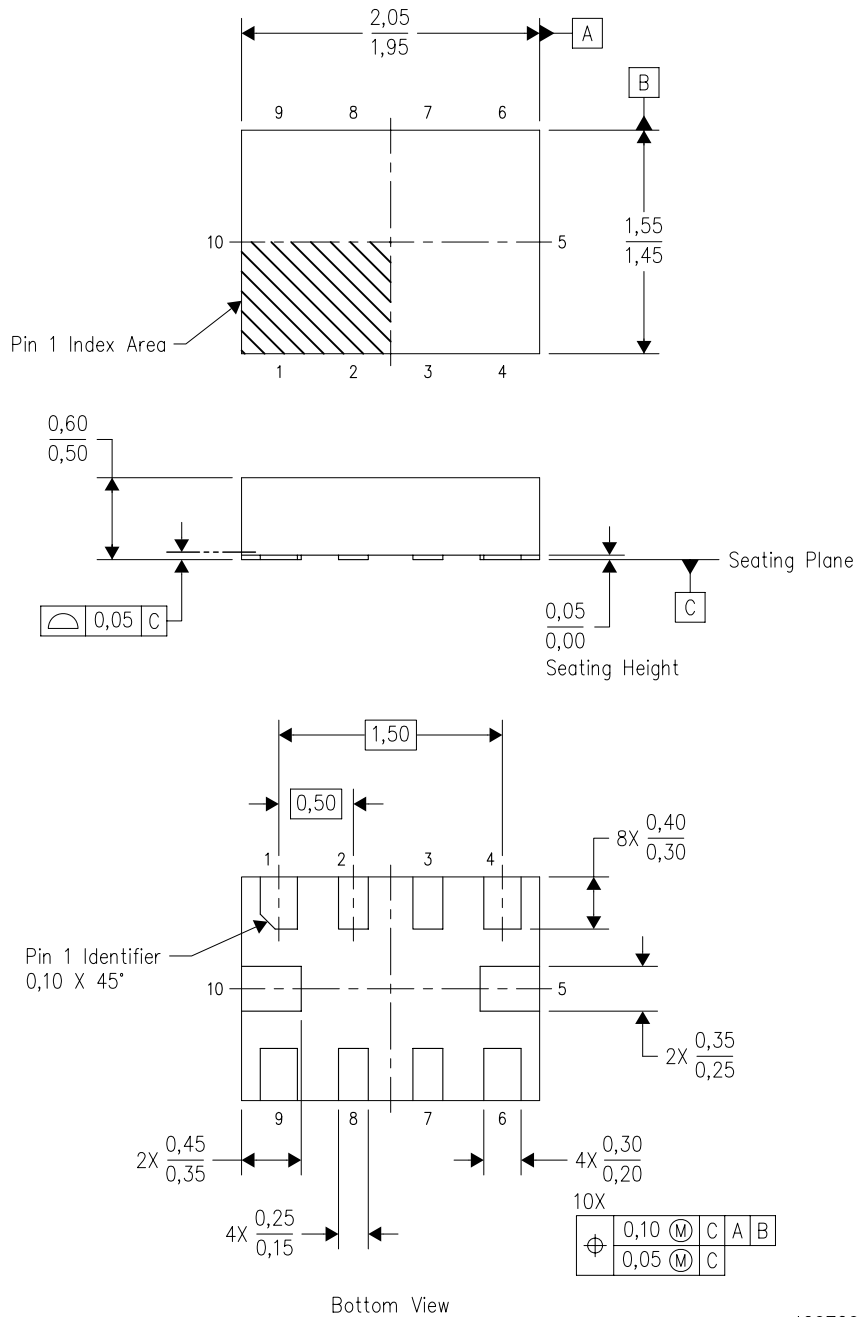


\*All dimensions are nominal

Device	Package Type	Package Drawing	Pins	SPQ	Length (mm)	Width (mm)	Height (mm)
TS5A623157DGSR	MSOP	DGS	10	2500	358.0	335.0	35.0

RSE (R-PQFP-N10)

PLASTIC QUAD FLATPACK

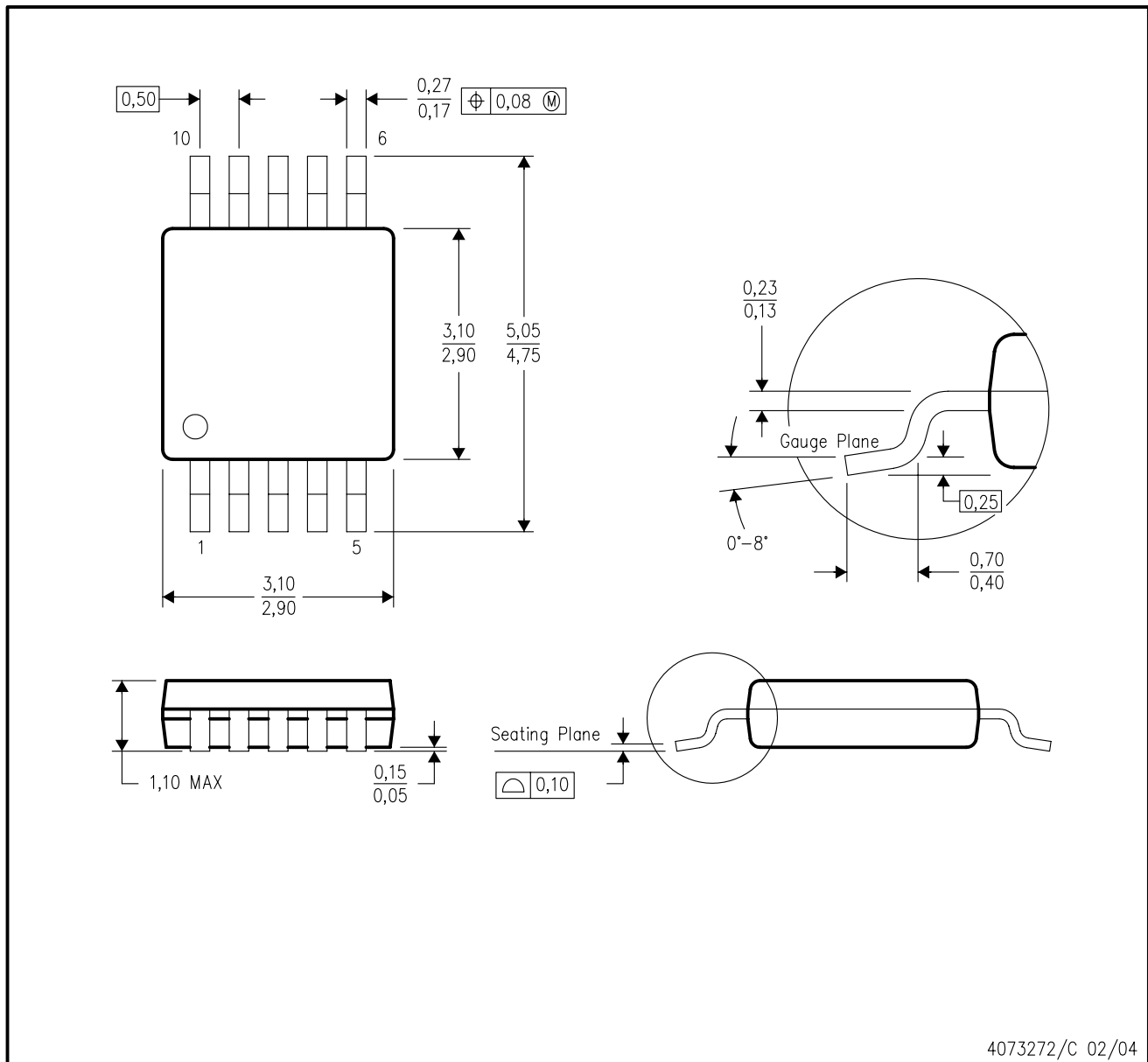


4207268-3/C 01/2008

- NOTES:
- A. All linear dimensions are in millimeters. Dimensioning and tolerancing per ASME Y14.5M-1994.
  - B. This drawing is subject to change without notice.
  - C. QFN (Quad Flatpack No-Lead) package configuration.
  - D. This package complies to JEDEC MO-288 variation UDFD.

DGS (S-PDSO-G10)

PLASTIC SMALL-OUTLINE PACKAGE



- NOTES:
- A. All linear dimensions are in millimeters.
  - B. This drawing is subject to change without notice.
  - C. Body dimensions do not include mold flash or protrusion.
  - D. Falls within JEDEC MO-187 variation BA.



## IMPORTANT NOTICE

Texas Instruments Incorporated and its subsidiaries (TI) reserve the right to make corrections, modifications, enhancements, improvements, and other changes to its products and services at any time and to discontinue any product or service without notice. Customers should obtain the latest relevant information before placing orders and should verify that such information is current and complete. All products are sold subject to TI's terms and conditions of sale supplied at the time of order acknowledgment.

TI warrants performance of its hardware products to the specifications applicable at the time of sale in accordance with TI's standard warranty. Testing and other quality control techniques are used to the extent TI deems necessary to support this warranty. Except where mandated by government requirements, testing of all parameters of each product is not necessarily performed.

TI assumes no liability for applications assistance or customer product design. Customers are responsible for their products and applications using TI components. To minimize the risks associated with customer products and applications, customers should provide adequate design and operating safeguards.

TI does not warrant or represent that any license, either express or implied, is granted under any TI patent right, copyright, mask work right, or other TI intellectual property right relating to any combination, machine, or process in which TI products or services are used. Information published by TI regarding third-party products or services does not constitute a license from TI to use such products or services or a warranty or endorsement thereof. Use of such information may require a license from a third party under the patents or other intellectual property of the third party, or a license from TI under the patents or other intellectual property of TI.

Reproduction of TI information in TI data books or data sheets is permissible only if reproduction is without alteration and is accompanied by all associated warranties, conditions, limitations, and notices. Reproduction of this information with alteration is an unfair and deceptive business practice. TI is not responsible or liable for such altered documentation. Information of third parties may be subject to additional restrictions.

Resale of TI products or services with statements different from or beyond the parameters stated by TI for that product or service voids all express and any implied warranties for the associated TI product or service and is an unfair and deceptive business practice. TI is not responsible or liable for any such statements.

TI products are not authorized for use in safety-critical applications (such as life support) where a failure of the TI product would reasonably be expected to cause severe personal injury or death, unless officers of the parties have executed an agreement specifically governing such use. Buyers represent that they have all necessary expertise in the safety and regulatory ramifications of their applications, and acknowledge and agree that they are solely responsible for all legal, regulatory and safety-related requirements concerning their products and any use of TI products in such safety-critical applications, notwithstanding any applications-related information or support that may be provided by TI. Further, Buyers must fully indemnify TI and its representatives against any damages arising out of the use of TI products in such safety-critical applications.

TI products are neither designed nor intended for use in military/aerospace applications or environments unless the TI products are specifically designated by TI as military-grade or "enhanced plastic." Only products designated by TI as military-grade meet military specifications. Buyers acknowledge and agree that any such use of TI products which TI has not designated as military-grade is solely at the Buyer's risk, and that they are solely responsible for compliance with all legal and regulatory requirements in connection with such use.

TI products are neither designed nor intended for use in automotive applications or environments unless the specific TI products are designated by TI as compliant with ISO/TS 16949 requirements. Buyers acknowledge and agree that, if they use any non-designated products in automotive applications, TI will not be responsible for any failure to meet such requirements.

Following are URLs where you can obtain information on other Texas Instruments products and application solutions:

### Products

Amplifiers	<a href="http://amplifier.ti.com">amplifier.ti.com</a>
Data Converters	<a href="http://dataconverter.ti.com">dataconverter.ti.com</a>
DSP	<a href="http://dsp.ti.com">dsp.ti.com</a>
Clocks and Timers	<a href="http://www.ti.com/clocks">www.ti.com/clocks</a>
Interface	<a href="http://interface.ti.com">interface.ti.com</a>
Logic	<a href="http://logic.ti.com">logic.ti.com</a>
Power Mgmt	<a href="http://power.ti.com">power.ti.com</a>
Microcontrollers	<a href="http://microcontroller.ti.com">microcontroller.ti.com</a>
RFID	<a href="http://www.ti-rfid.com">www.ti-rfid.com</a>
RF/IF and ZigBee® Solutions	<a href="http://www.ti.com/lprf">www.ti.com/lprf</a>

### Applications

Audio	<a href="http://www.ti.com/audio">www.ti.com/audio</a>
Automotive	<a href="http://www.ti.com/automotive">www.ti.com/automotive</a>
Broadband	<a href="http://www.ti.com/broadband">www.ti.com/broadband</a>
Digital Control	<a href="http://www.ti.com/digitalcontrol">www.ti.com/digitalcontrol</a>
Medical	<a href="http://www.ti.com/medical">www.ti.com/medical</a>
Military	<a href="http://www.ti.com/military">www.ti.com/military</a>
Optical Networking	<a href="http://www.ti.com/opticalnetwork">www.ti.com/opticalnetwork</a>
Security	<a href="http://www.ti.com/security">www.ti.com/security</a>
Telephony	<a href="http://www.ti.com/telephony">www.ti.com/telephony</a>
Video & Imaging	<a href="http://www.ti.com/video">www.ti.com/video</a>
Wireless	<a href="http://www.ti.com/wireless">www.ti.com/wireless</a>

Mailing Address: Texas Instruments, Post Office Box 655303, Dallas, Texas 75265  
Copyright © 2008, Texas Instruments Incorporated